



Features

- Capacitive touch wall switches
- RGB indicators on each button
- Face color available in white and black
- Power option of DALI bus or DC input
- DALI-2/IEC 62386 103, 301
- 332 Feedback is available in customized mode
- Support application controller of Smart Linke Engine.
- Global safety compliant, suitable for home and office.



Artilect Green Co., Ltd.

Tel: +886-2-2597-6188

6F., No. 34-1, Jiuquan St. Datong Dist., Taipei City 10367, Taiwan

<http://www.artilectgreen.com>

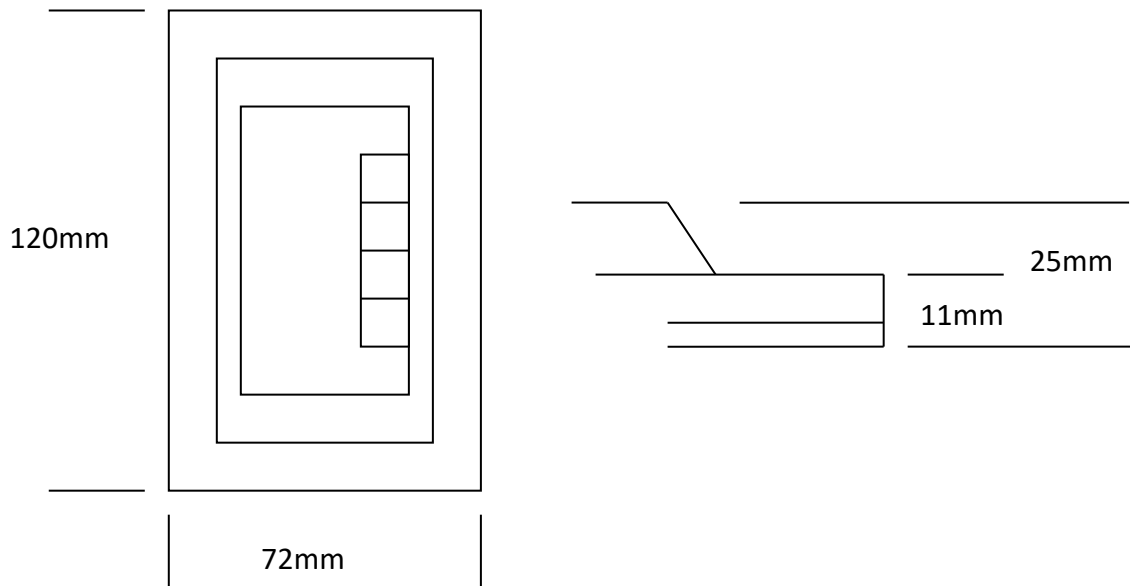
Email: info@artilectgreen.com

2. Specification

Technical Data

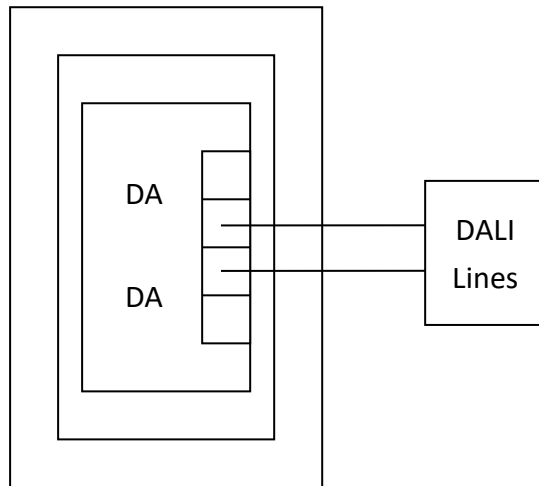
Model		AGD-WBUS1CB3	AGD-WBUS2CB3	AGD-WBUS3CB3
Face	Button	1	2	3
	Indicator	RGB		
	Color	White, Black also available		
Input	Voltage	According to DALI bus		
	Current	10mA	14mA	15mA
Environment	Temperature	-30 ~ +45°C		
	Storage	-40 ~ +80°C, 10 ~ 95% Non-condensing		
Interface	DALI	DALI-2 IEC 62386 101, 103, 301. 332 in operation mode 128		
Other	Smart Engine	Smart Linke Engine		
	Dimension	120*72*25mm		
	Startup time	< 1 second		

Dimension



3. Installation

Wiring and circuit diagram



- It is recommended to use common-grounded DALI bus power supply. Floating ground may cause mis-detection or sensitive error.
- For better EMC and touch sense, keep wires out of high inductive area to avoid radiation interference.
- It is recommended to power-off during repairing and installation to avoid electronic shock.
- Extra care during installation is needed to avoid damages to glass.

4. Functions

Software

This wall switch has designed with Artilect SmartLink Application Controller (Smart Link Engine), and its parameters can be configured via DALI memory banks or by Artilect Configuration tool. Please refer to Configuration Manual for more information.

5. Others

Warning / Caution !!

- Risk of electrical shock and energy hazard. All failure should be examined by a qualified technician. Please do not remove the case of this device by yourself!
- The openings should be protected from foreign objects or dripping liquids.
- Please do not install touch wall switches in places with high ambient temperature or close to fire source. Please refer to the specifications about the maximum ambient temperature limitations.
- Total working current must not exceed the DALI bus supply's limit.
- The DALI is designed as FELV circuit, and electronic protection is made with its case and glasses. Any damage is advised to replace with a new unit. Fixing or repairing its case or glass is not recommended.