



Features

- Capacitive touch wall switches
- RGB indicators on each button
- Face color available in white and black
- Power option of DALI bus or DC input
- DALI-2/IEC 62386 103, 301
- 332 Feedback is available in manufactory mode
- Support application controller of Smart Linke Engine.
- Global safety compliant, suitable for home and office.



*Products are sold without Artilect Logo. Customization is available.

Artilect Green Co., Ltd.

<http://www.artilectgreen.com>

Tel: +886-2-2597-6188

Email: info@artilectgreen.com

6F., No. 34-1, Jiuquan St. Datong Dist., Taipei City 10367, Taiwan



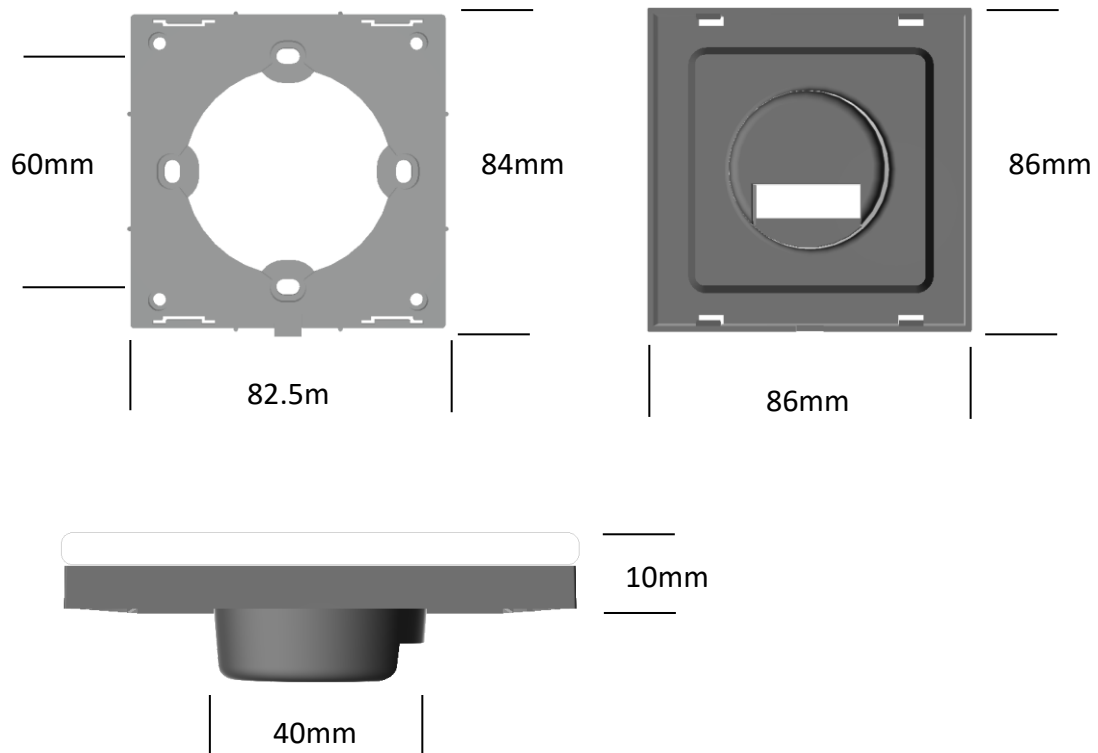
SELV RoHS

2. Specification

Technical Data

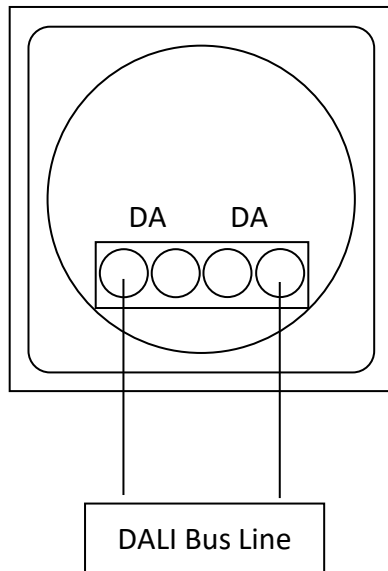
Model (AGD-)		WBEU1CB3	WBEU2CB3	WBEU3CB3	WBEU4CB3
Face	Button	1	2	3	4
	Indicator	RGB			
	Color	White			
Input	Voltage	DALI Bus			
	Current	7mA	11mA	15mA	20mA
Connector	DALI	AWG24 to AWG12 solid or stranded wire			
Environment	Temperature	-30 ~ +45°C			
	Storage	-40 ~ +80°C, 10 ~ 95% Non-condensing			
Interface	DALI	DALI-2 IEC 62386 101, 103, 301, 332			
Other	Smart Engine	Smart Link Engine			
	Dimension	86*86*24mm			
	Startup time	< 1 second			

Dimension



3. Installation

Wiring and circuit diagram



- For DALI based touch switches, use common-ground DALI bus power supply for better stability. Floating ground may cause mis-detection or sensitive error.
- For better EMC and touch sense, keep wires out of high inductive area to avoid high radiation interference.
- DA/DA terminals are for DALI bus wires, and they are cataloged FELV, and should be connected to FELV circuit.
- It is recommended to power-off during repairing and installation to avoid electronic shock.
- Extra care during installation is needed to avoid damages to glass.

4. Functions

Software

This wall switch has equipped Artilect SmartLink Application Controller (Smart Link Engine), and its parameters can be configured via DALI memory banks or by Artilect Configuration tool. Please refer to Configuration Manual for more information.

5. Others

Warning / Caution !!

- Risk of electrical shock and energy hazard. All failure should be examined by a qualified technician. Please do not remove the case of the power supply by yourself!
- The openings should be protected from foreign objects or dripping liquids.
- Please do not install touch wall switches in places with high ambient temperature or close to fire source. Please refer to the specifications about the maximum ambient temperature limitations.
- Total working current must not exceed the DALI bus supply's limit.
- The DALI is designed as FELV circuit, and electronic protection is made with its case and glasses. Any damage is advised to replace with a new unit. Fixing or repairing its case or glass is not recommended.