



## USB DALI Gateway – 1 Chnl

**MA121DC1**

ARTILECT GREEN ARTILECT GREEN ARTILECT GREEN ARTILECT GREEN ARTILECT GREEN ARTILECT GREEN

### Features

- DALI Gateway Server with IEC 62386 support
- AC Universal input, 5W
- DALI channel: 1 set, guaranteed 140mA, max 180mA
- Control: USB Artilect V4
- Protection: DALI channel short circuit
- Global safety compliant
- Suitable for home and office
- Others: Smart Engine, Time Sync, Event & scheduler, etc

Artilect Green Co., Ltd.

<http://www.artilectgreen.com>

Tel: +886-2-2597-6188

Email: [info@artilectgreen.com](mailto:info@artilectgreen.com)

6F., No. 34-1, Jiuquan St. Datong Dist., Taipei City 10367, Taiwan



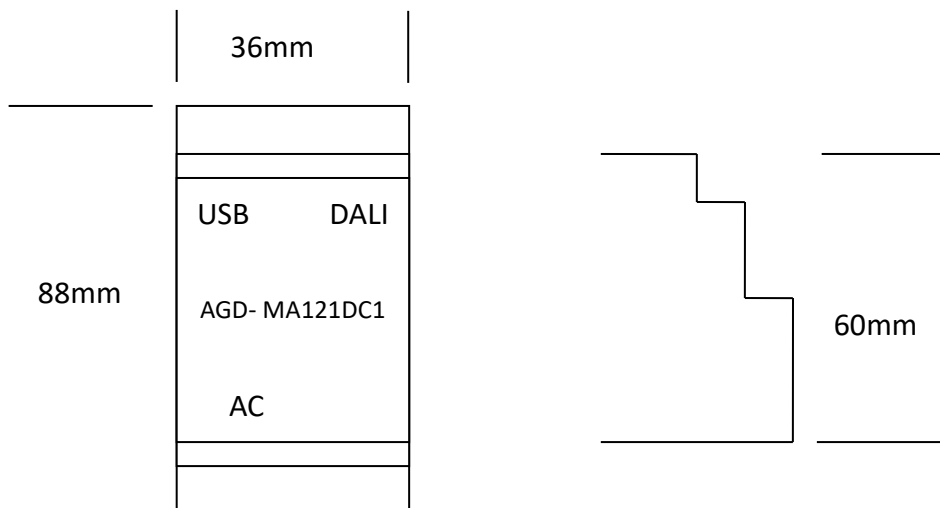
SELV RoHS

## 2. Specification

### Technical Data

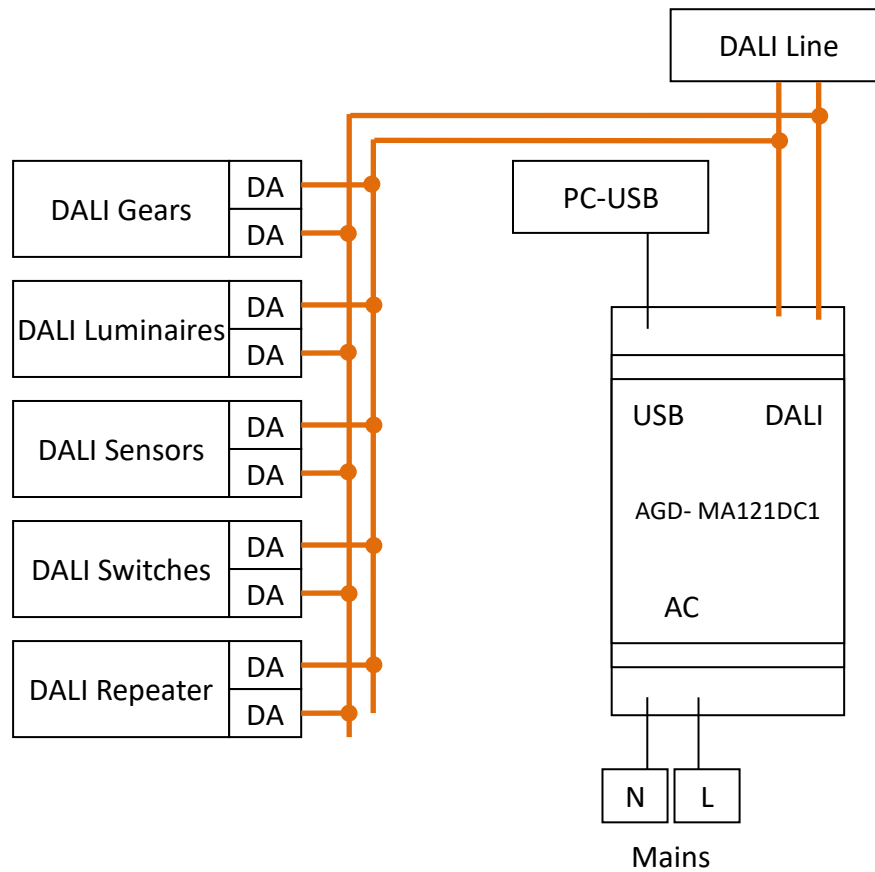
Model		AGD-MA121DC1
Output	DALI Channel	1 with power source
	Current	140mA guaranteed/180mA max for each channel
Input	Voltage	Universal, 100 ~ 240V AC
	Power	Max 5W
	Standby W	< 1W
Protection	Short	Yes for DALI channels
Working environment	Temperature	-30 ~ +45°C
	Storage	-40 ~ +80°C, 10 ~ 95% Non-condensing
Other	App	Free iPhone & Android Remote Control App
	Protocol	Artilect V4

### Dimension



### 3. Installation

#### Wiring and circuit diagram



- Wirings must be done when the main power source is off.
- DA/DA are wires for DALI bus lines. Connect to DALI devices only.
- Please make sure that total devices and bus current consumption does not exceed each channel's limit.
- Please keep the join of cables away from human environment. Double enforcement cables are recommended.

#### Hot plug-in

Hot plug-in is not recommended for AC wires. Only DALI wires are allowed for hot plug-in.

#### DALI Bus

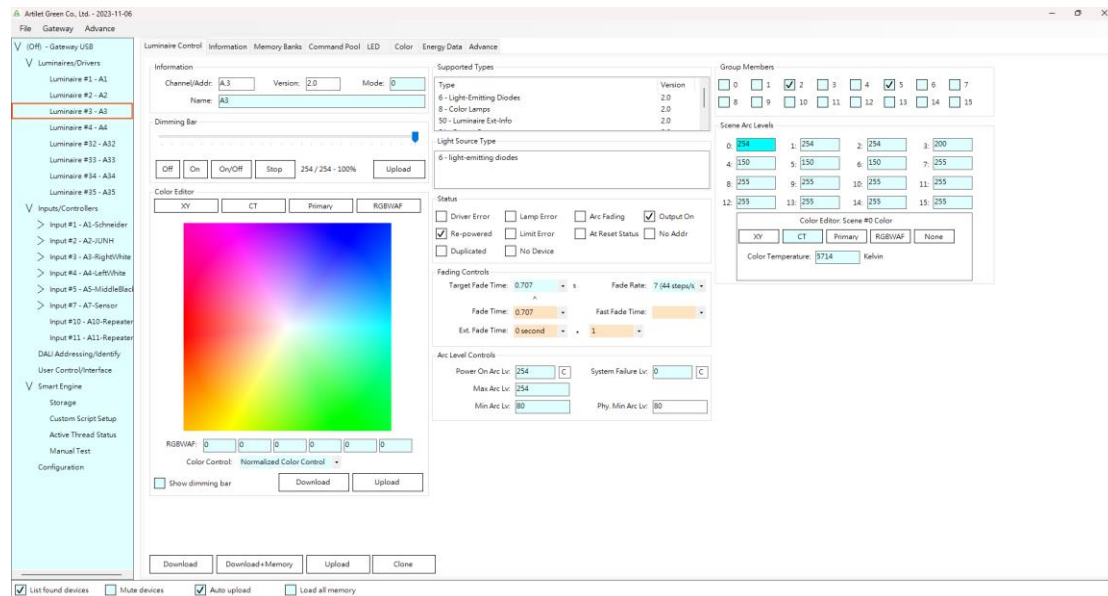
DALI bus has designed with short and overheat protection. When each DALI channel is overheated due to shorted output or abnormal operation, it will turn off the failure

channel till it is recovered. The gateway will also repeatedly check its output at the frequency of 15 seconds or so.

To allow DALI bus powered devices to boot up smoothly, the gateway will provide DALI current source for minutes before its channel is overheated. The protection point of overheating temperature can be configured with its software tool.

## 4. Configuration Software

Artilect SmartLink provides highly advanced DALI configuration tool. Using this tool may require some knowledge of DALI standard and infrastructure. For more information, please, contact Artilect Green's sales for further information and its download link.



## 5. Others

### Warning / Caution !!

- Risk of electrical shock and energy hazard. All failure should be examined by a qualified technician. Please do not remove the case of the device!
- The openings should be protected from foreign objects or dripping liquids.
- Please do not install the device in places with high ambient temperature or close to fire source. Please refer to the specifications about the maximum ambient temperature limitations.

- If the cases or terminal connector of this device is damaged, it shall be exclusively replaced by the manufacturer or his service agent or a similar qualified person in order to avoid a hazard.
- The DALI is designed as FELV circuit, its terminal shall connect to FELV circuit. Connecting to SELV will lower its isolation level to FELV.