



## Features

- DALI Gateway Server with IEC 62386 support
- AC Universal input, 5W
- DALI channel: 4 sets, no power
- Control: Ethernet with DHCP, ModBus TCP
- Protection: DALI channel short circuit
- Global safety compliant
- Suitable for home and office
- Others: Smart Engine, Time Sync, Event & scheduler, etc

Artilect Green Co., Ltd.

<http://www.artilectgreen.com>

Tel: +886-2-2597-6188

Email: [info@artilectgreen.com](mailto:info@artilectgreen.com)

6F., No. 34-1, Jiuquan St. Datong Dist., Taipei City 10367, Taiwan

## 2. Specification

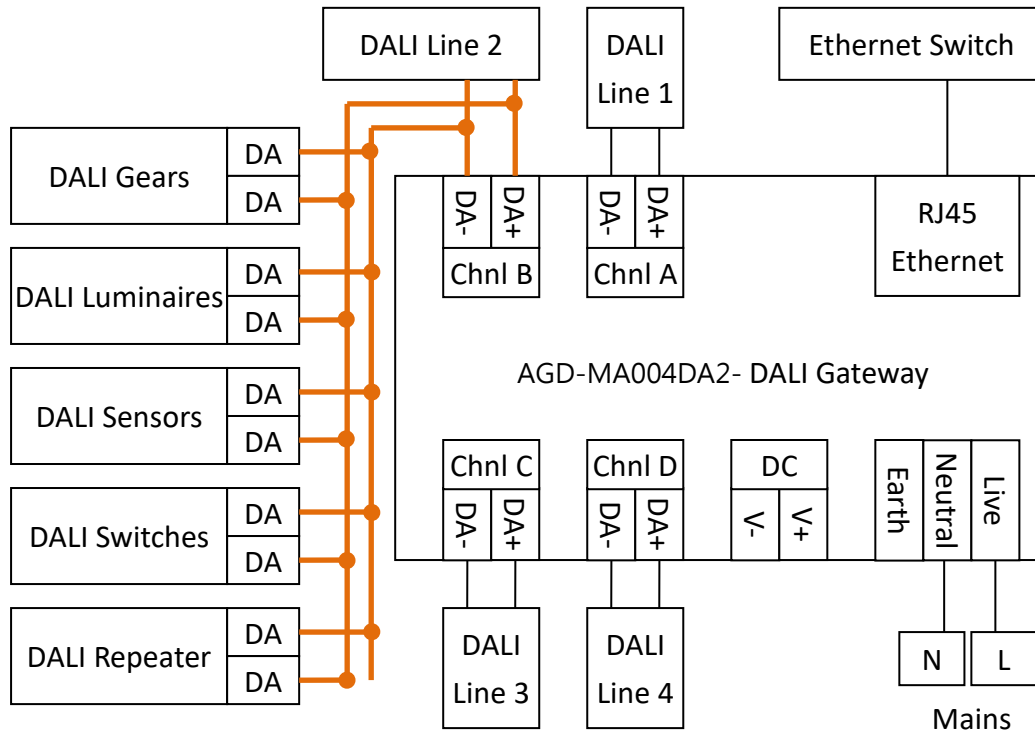
### Technical Data

|                     |              |  |
|---------------------|--------------|--|
| Model               |              | AGD-MA004DA2                             |
| Output              | DALI Channel | 4 with no power source                   |
|                     | Current      | Consume max 2mA                          |
| Input               | Voltage      | Universal, 100 ~ 240V AC                 |
|                     | Power        | Max 5W                                   |
|                     | Standby W    | < 2W                                     |
| Protection          | Short        | No                                       |
| Working environment | Temperature  | -30 ~ +45°C                              |
|                     | Storage      | -40 ~ +80°C, 10 ~ 95% Non-condensing     |
| Other               | App          | Free iPhone & Android Remote Control App |
|                     | Protocol     | ModBus TCP, Artilect V3                  |

### Dimension

### 3. Installation

#### Wiring and circuit diagram



- Wirings must be done when the main power source is off.
- DA/DA are wires for DALI bus lines. Connect to DALI devices only.
- Please keep the join of cables away from human environment. Double enforcement cables are recommended.

#### Hot plug-in

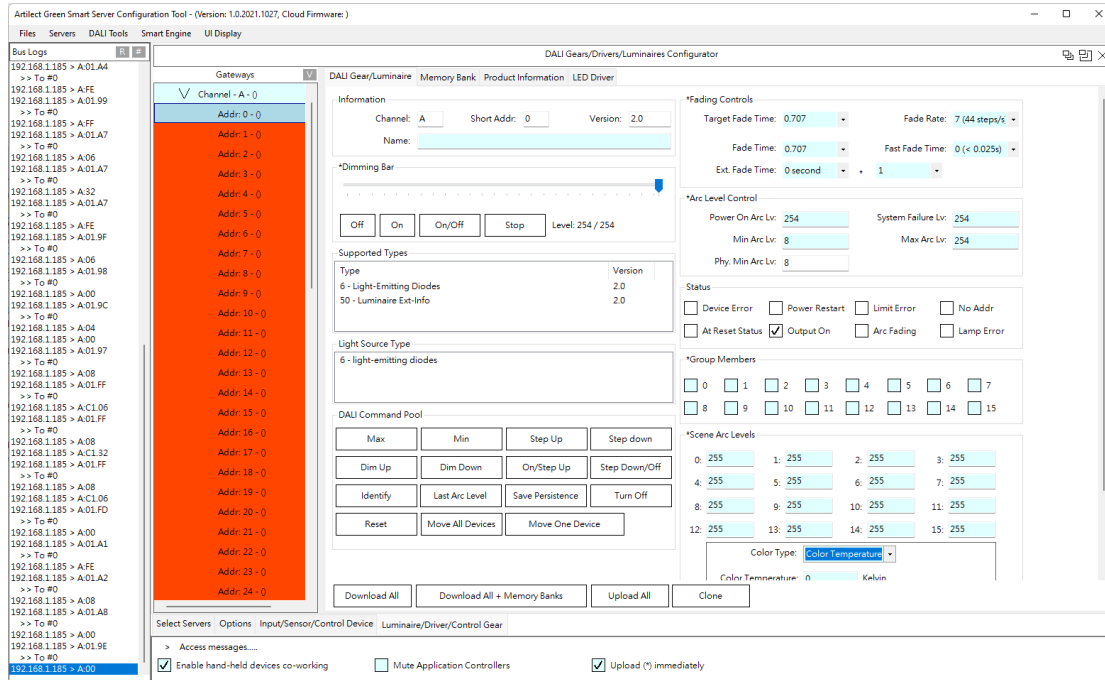
Hot plug-in is not recommended for AC wires. Only DALI wires are allowed for hot plug-in.

#### DALI Bus

DALI bus has no DALI bus power supply, please connect a bus power supply externally.

## 4. Configuration Software

Artilect SmartLink provides highly advanced DALI configuration tool. Using this tool may require some knowledge of DALI standard and infrastructure. For more information, please, contact Artilect Green's sales for further information and its download link.



## 5. Others

### Warning / Caution !!

- Risk of electrical shock and energy hazard. All failure should be examined by a qualified technician. Please do not remove the case of the device!
- The openings should be protected from foreign objects or dripping liquids.
- Please do not install the device in places with high ambient temperature or close to fire source. Please refer to the specifications about the maximum ambient temperature limitations.
- If the cases or terminal connector of this device is damaged, it shall be exclusively replaced by the manufacturer or his service agent or a similar qualified person in order to avoid a hazard.
- The DALI is designed as FELV circuit, its terminal shall connect to FELV circuit. Connecting to SELV will lower its isolation level to FELV.

