



## Artilect Smart Motion/Light Sensor

**DB122DA2**

ARTILECT GREEN

ARTILECT GREEN

ARTILECT GREEN

ARTILECT GREEN

ARTILECT GREEN

ARTILECT GREEN

### Features

- DALI Bus input.
- PIR and light sensor – Standard 8M.
- DALI-2/IEC 62386 303, 304
- Support Smart Link Engine Application Controller.
- Global safety compliant, suitable for home and office.



Artilect Green Co., Ltd.

Tel: +886-2-2597-6188

6F., No. 34-1, Jiuquan St. Datong Dist., Taipei City 10367, Taiwan

<http://www.artilectgreen.com>

Email: [info@artilectgreen.com](mailto:info@artilectgreen.com)



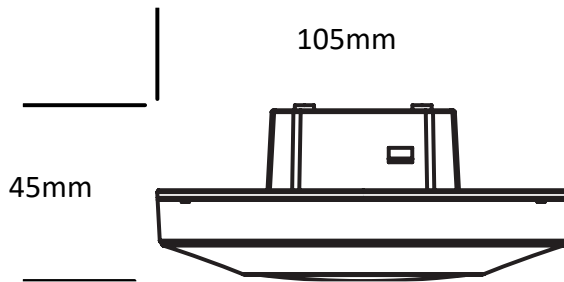
SELV RoHS

## 2. Specification

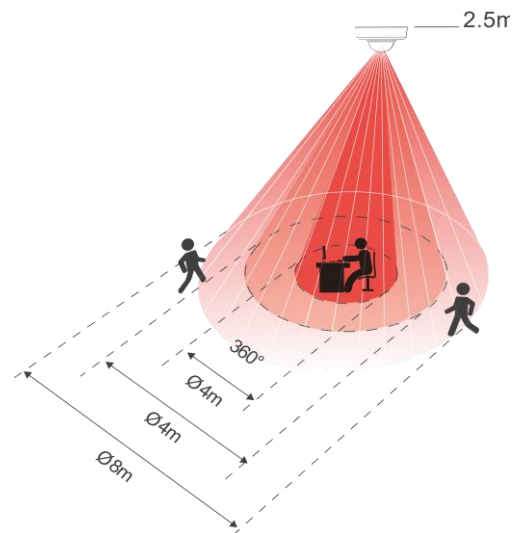
### Technical Data

Model		AGD-DB122DA2
Sensor	Motion	PIR motion sensor, 8m range at 2.5m high.
	Light	1 ~ 65500 lux, sensitive adjustable.
Input	Voltage	DALI Bus
	Current	8mA
Environment	Temperature	-20 ~ +45°C
	Storage	-40 ~ +80°C, 10 ~ 95% Non-condensing
Interface	DALI	DALI-2 IEC 62386 101, 103, 303, 304
Others	Smart Engine	Smart Link Engine
	Dimension	105*45mm
	Accessory	Surface mounting box / Spring clip box

### Dimension

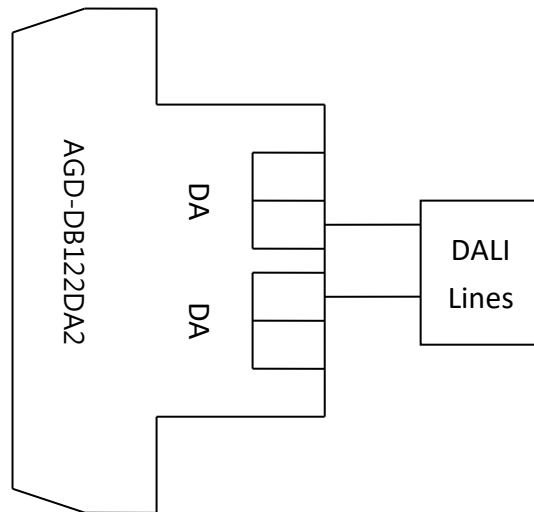


### Detection Range



### 3. Installation

#### Wiring and circuit diagram



- DA/DA are wires for DALI bus lines. Connect to DALI bus only.
- Please only use DALI-2 certified bus power supplies, and follow the manual of DALI bus installation.
- Please keep the join of cables away from human environment. Double enforcement cables are recommended.

### 4. Functions

#### Software

This sensor has equipped Artilect SmartLink Application Controller (Smart Engine). Please refer to its manuals for more information.

### 5. Others

#### Warning / Caution !!

- Risk of electrical shock and energy hazard. All failure should be examined by a qualified technician. Please do not remove the case of the device!
- The openings should be protected from foreign objects or dripping liquids.
- Please do not install the device in places with high ambient temperature or

close to fire source. Please refer to the specifications about the maximum ambient temperature limitations.

- If the cases or terminal connector of this device is damaged, it shall be exclusively replaced by the manufacturer or his service agent or a similar qualified person in order to avoid a hazard.
- The DALI is designed as FELV circuit, its terminal shall connect to FELV circuit. Connecting to SELV will lower its isolation level to FELV.