



SimpleLink Analog Signal Converter 0B411SB2

ARTILECT GREEN ARTILECT GREEN ARTILECT GREEN ARTILECT GREEN ARTILECT GREEN ARTILECT GREEN

Features

- Powered by DALI Bus
- Isolated 0-10V converter
- 0-10V and 10V PWM selectable output
- Support Igniter Mode
- Max analog signal drawing - 40mA
- Open detectable on analog lines
- DALI-2 dimming, IEC 62386 - 102
- Global safety compliant
- Suitable for home and office



Artilect Green Co., Ltd.

Tel: +886-2-2597-6188

6F., No. 34-1, Jiuquan St. Datong Dist., Taipei City 10367, Taiwan

<http://www.artilectgreen.com>

Email: info@artilectgreen.com



300V 2A

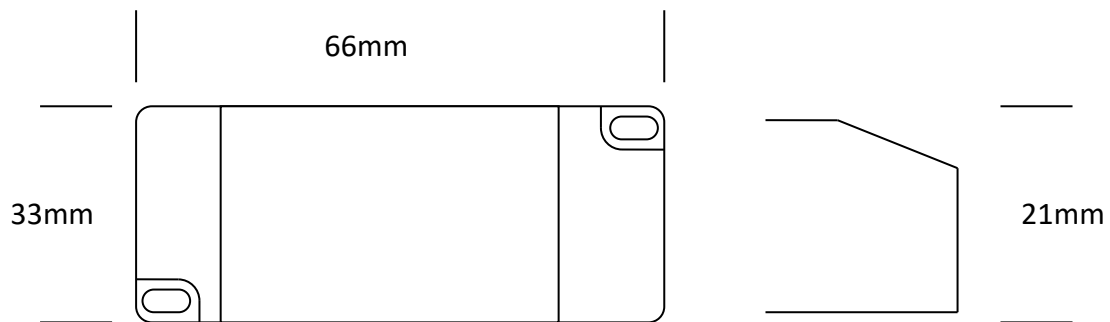
SELV RoHS

2. Specification

Technical Data

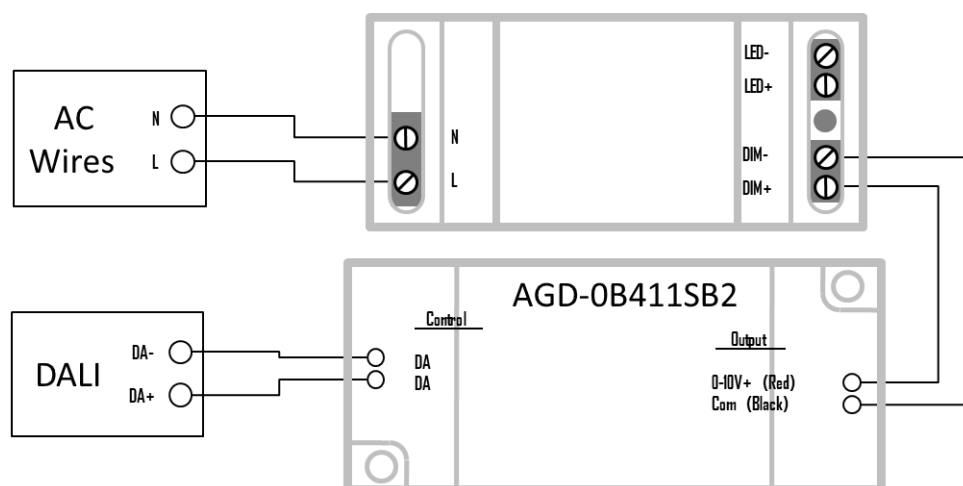
Model		AGD-0B411SB2
Output	Signal Type	0-10V
	Max Driving I	40 mA
	Isolation	Yes, 500V
Input	Voltage	DALI Bus, max 36V
	Current	Normal 6mA/10V, 4.2mA/16V Stable 8mA/10V, DALI Bus max current 10mA
	Startup Time	50 mS, 240mA/16V 500 mS, 8mA/10V
Protection		0-10V Open Detection
Working Environment	Temperature	-30 ~ +40°C
	Humidity	20 ~ 95%
	Storage	-40 ~ 80°C, 10 ~ 95%
Dimming	DALI	DALI-2, IEC 62386 -102
	Dimming Mode	0-10V or 10V PWM change by jumper

Dimension



3. Installation

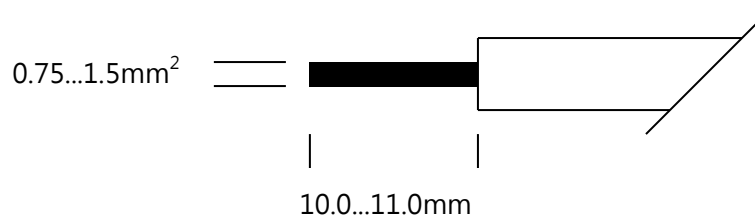
Wiring and circuit diagram



- Please select a correct model for open-drain or push-pull 0-10V/PWM converter. Open-Drain does not provide current source to 0-10V/PWM driver, and only poll low on signal wires. Push-pull converter will provide active source and poll the signal level to high.
- Wrong wiring of dry switch may cause damage to this device or controlled devices.
- DA/DA terminals are for DALI bus wires, and they are cataloged FELV, and should be connected to FELV circuit.

Wiring cable and cross section

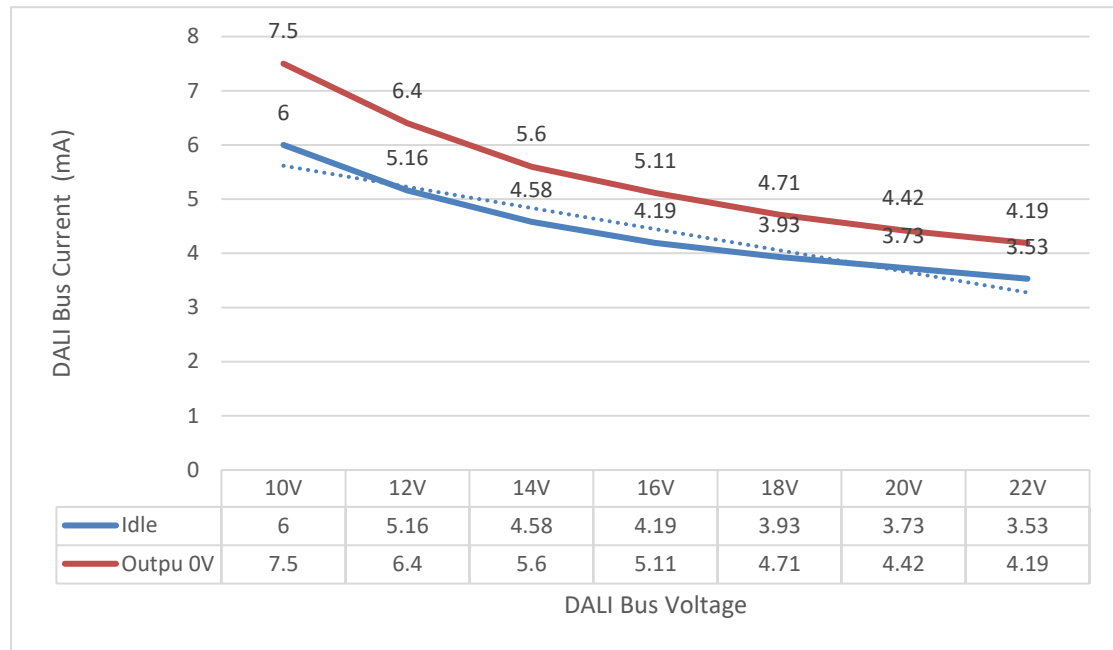
The cable cross-section of each terminal can be 0.75...1.5mm², and the wire preparation length can be 10.0...11.0mm. Each terminal should be used one wire only.



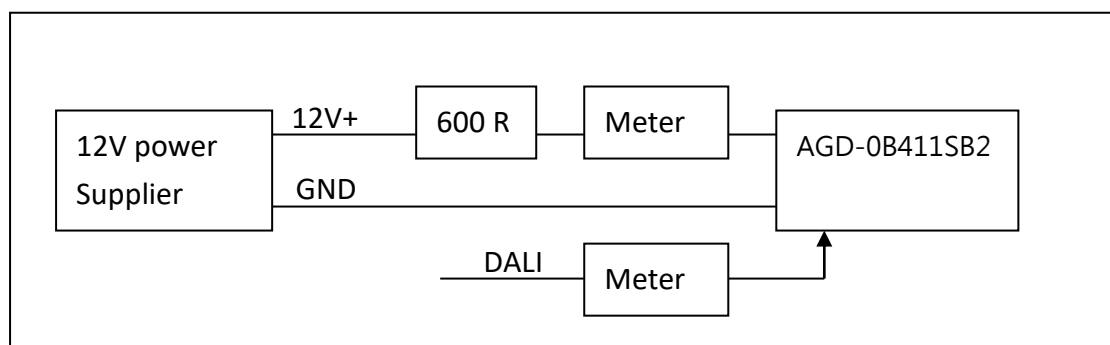
Hot plug-in

Hot plug-in is okay on DALI wires.

DALI Bus Current



0-10V Testing Method



Please note, push-pull models may consume much more current on the number of devices connected.

5. Functions

Short-circuit protection

This will detect the short circuit status on signal bus.

Open-circuit/no-load protection

This will detect the open circuit status on signal bus.

Software

This driver is supported by SmartLink configuration tool. You can use SmartLink tool to download and program its parameters.

6. Others

Warning / Caution !!

- Risk of electrical shock and energy hazard. All failure should be examined by a qualified technician. Please do not remove the case of the power supply by yourself!
- The openings should be protected from foreign objects or dripping liquids.
- Please do not install LED power supplies in places with high ambient temperature or close to fire source. Please refer to the specifications about the maximum ambient temperature limitations.
- Output current and output wattage must not exceed the rated values on the specifications.
- If the external flexible cable or cord of this switching power supply is damaged, it shall be exclusively replaced by the manufacturer or his service agent or a similar qualified person in order to avoid a hazard.
- LED power supply needs to be disposed together with lighting equipment after the end of its life.
- The DALI is designed as FELV circuit, its terminal shall connect to FELV circuit. Connecting to SELV will lower its isolation level to FELV.