



Features

- DALI bus power with High Availability
- AC 100 ... 240V, 50/60Hz input
- One output DALI channel, DALI-B
- One input DALI channel, DALI-A
- DALI-B will automatically output bus current if DALI-A is down.
- Common ground DALI bus power design
- Global safety compliant, suitable for home and office.



Artilect Green Co., Ltd.

Tel: +886-2-2597-6188

6F., No. 34-1, Jiuquan St. Datong Dist., Taipei City 10367, Taiwan

<http://www.artilectgreen.com>

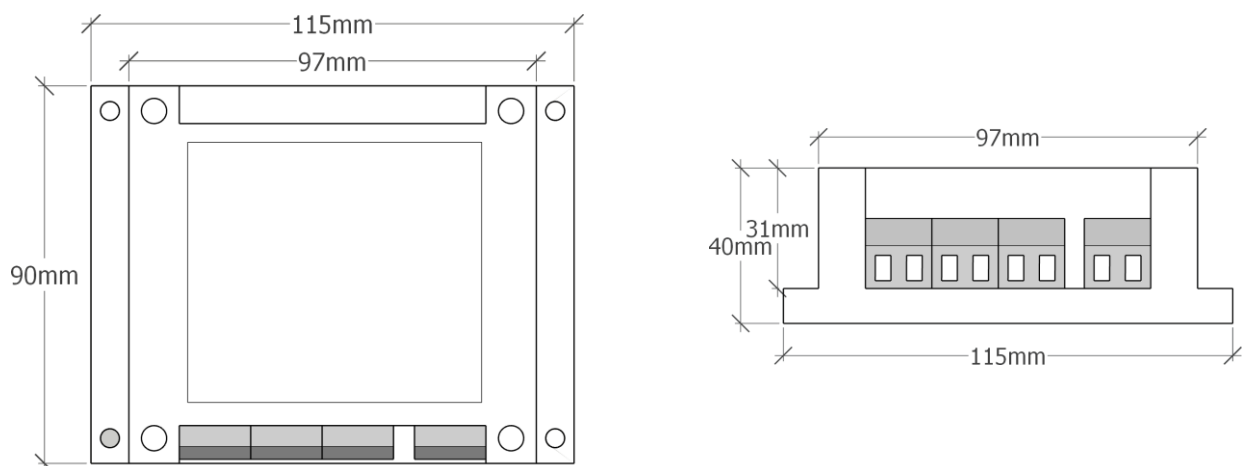
Email: info@artilectgreen.com

2. Specification

Technical Data

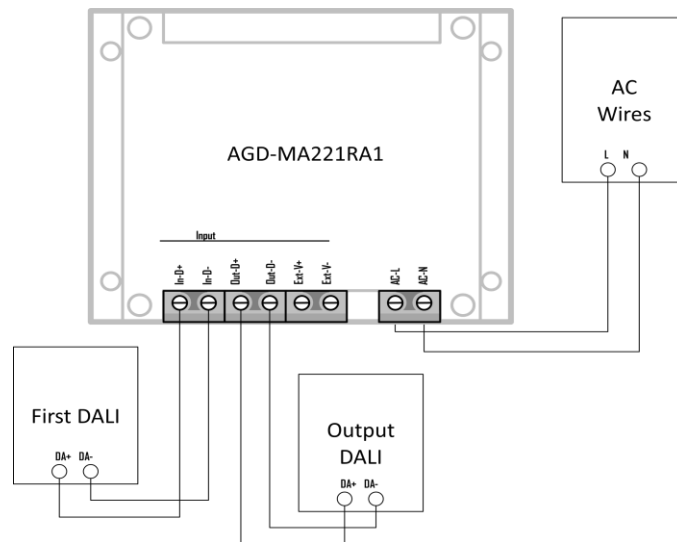
Model		AGC-MA221HA1
Input	Voltage/Hz	100...240V AC, 50...60Hz
	Standby W	< 0.5W
DALI-A No Power	Input Voltage	Max 22.5V
	Current Draw	1.6mA consumption
DALI-B DALI Power	Voltage	16V typical, Common ground design
	Current Source	Guarantee: 220mA, Max: 250mA (When DALI-A is down)
Protection	Surge capability	L/N-Ground 2kV, L-N 1kV
	Isolation	Main input/DALI SELV, DALI No Source/ DALI power FELV
Connector	AC	AWG30 to AWG12 solid or stranded wire
	DALI-A/DALI-B	AWG30 to AWG12 solid or stranded wire
Environment	Temperature	Ta: -30...+40°C, Tc: 70°C
	Storage	-40...+80°C, 10...95% Non-condensing
Others	Dimension	115x90x40mm
	Weight	
	DALI-2	Only DALI bus power supply is DALI-2 certified. Currently, there is no official certification for HA function.

Dimension



3. Installation

Wiring and circuit diagram



- DALI-A is a no-DALI-bus-power input, connect to a DALI master or a DALI bus power supply.
- DALI-B is its output. DALI-B will be switched to DALI-A when DALI-A has a DALI power source. Or this will switch to its internal DALI power supply if DALI-A cannot detect any DALI power source input.
- For better EMC and touch sense, keep wires out of high inductive area to avoid high radiation interference.

Usage and install

This device is designed as a redundant (high availability) DALI bus power supply. This will switch to its internal DALI bus power supply when it detects a malfunction on DALI-A, and switch back to DALI-A when it is recovered.

This device may be used in where input devices have application controllers and operate without master gateway.

4. Functions

High Availability

This device is designed for cases which required higher availability, and require any point of device failure which should not cause system down or dysfunctional.

With device would allow users to operate with wall switches when a master gateway was down. Or using master gateway to control when wall switches were down.

5. Others

Warning / Caution !!

- Risk of electrical shock and energy hazard. All failure should be examined by a qualified technician. Please do not remove the case of the power supply by yourself!
- The openings should be protected from foreign objects or dripping liquids.
- Please do not install this device in places with high ambient temperature or close to fire source. Please refer to the specifications about the maximum ambient temperature limitations.
- Total working current must not exceed the DALI bus supply's limit.
- Any damage is advised to replace with a new unit. Fixing or repairing its case or components is not recommended.