

DALIDC RGB Animator

AGD-CD00GC01

- Powered by RGB strip
- Signal control, max 500 LEDs
- DALI Interface: IEC 62386-102, 207, 209
- Support DALI RGBmode
- Installed with 15 or more animations
- Suitable for scenes and entertaining
- Global safety compliant
- Suitable for home and office



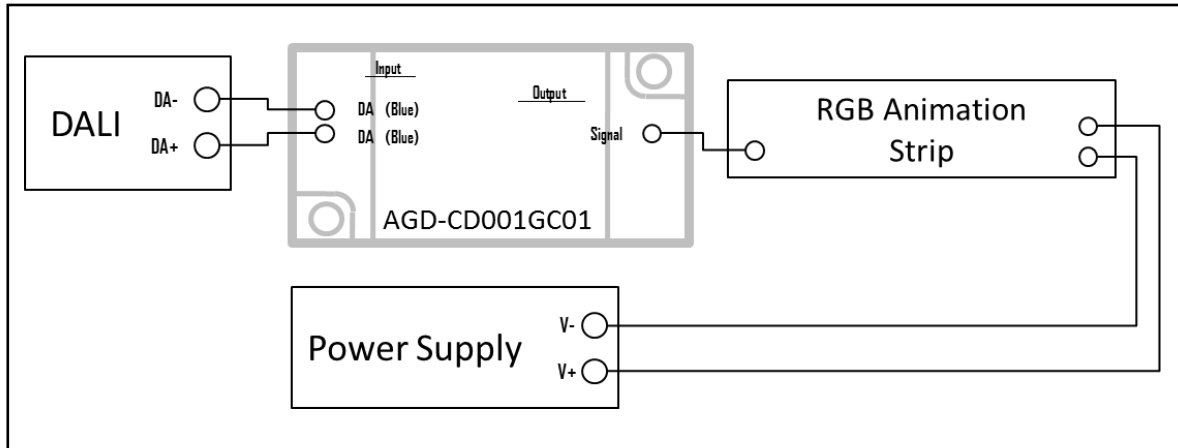
Specification

Model	AGD-CD001GC01	
Output	Signal Voltage	3~5V
	Protocol	Proprietary
	LEDNo	500LEDs
Input	Voltage	5 or 12V DC
	Current	<20 mA
	Standby	<0.5W
Operating Environment	Temperature	-30 ~ +40°C
	Humidity	20 ~ 95%
	Storage	-40 ~ 80°C, 10 ~ 95%
Dimming	DALI	DALI IEC 62386 -102、207、209
	Dimming Mode	Signal

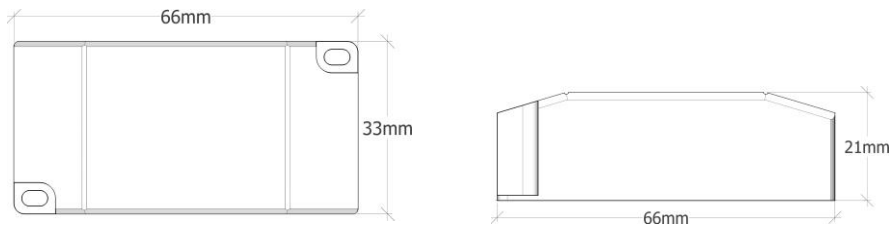
DALIDC RGB Animator

AGD-CD00GC01

Wiring Diagram



Dimension



Block Diagram

